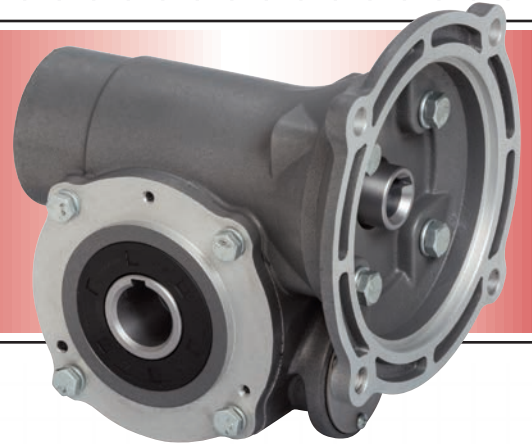


## H50 Aluminum Hollow Bore Right Angle Reducers 685 in-lbs. Max Output Torque 29 - 350 Output RPM



### Applications:

Conveyors, material handling, packaging machinery, medical and laboratory equipment, print presses, automatic carwashes, and machine tools.

### Features:

- Baldor's exclusive internal oil expansion bladder ensures long leak free operation
- High strength chill cast bronze gearing provides quiet operation and reliable torque transmission
- Spring loaded seals provide positive oil retention
- Oversized industrial ball bearings allow for greater load capacity
- Rugged die cast aluminum construction provides excellent thermal dissipation
- Synthetic oil lubrication ensures maximum efficiency and long maintenance free operation
- 50mm Center Distance
- 56 C-face mounting
- 1.00" Hollow Bore
- 35 district offices throughout the USA and Canada that can assist with any technical questions
- 33 stocking locations throughout the USA and Canada with 24 hour support

**BALDOR**<sup>®</sup>

A MEMBER OF THE ABB GROUP

## H50 Aluminum Hollow Bore Right Angle Reducers



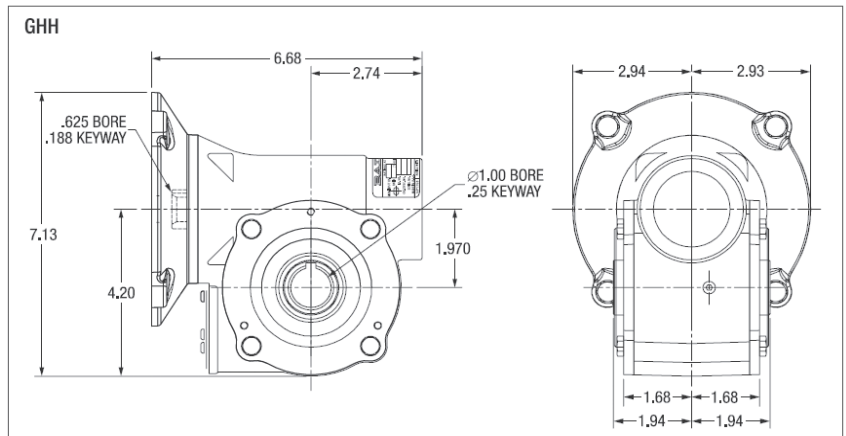
**Applications:** Conveyors, material handling equipment, packaging machinery, medical and laboratory equipment, printing presses, commercial ovens, and machine tools.

**Features:** Ball bearing on output for smooth torque transmission. High strength bronze gearing with hardend and ground worm for quiet operation and increased radial load capacity. High performance low friction, bidirectional motor seals. Permanently lubricated with synthetic oil. Internal oil expansion bladder allows for multi-position mounting without the need to relocate breather vents.

Nominal Output RPM @ 1750 RPM In	Gear Ratio	Continuous Duty Output torque (In-Lbs) Based on 1750 RPM Motor							Max Input Hp	Max Output Torque Rating In-Lbs	Style Number	Catalog Number	Mult. Sym.	Ap'x Shpg. Wgt.
		0.25	0.33	0.50	0.75	1.00	1.50	2.00						
350	5:1					156	235	315	2.57	435	HF-H-05-H100	GHH0556	GB	11
175	10:1				230	300	450		1.88	600	HF-H-10-H100	GHH1056	GB	11
117	15:1			176	263	350			1.37	483	HF-H-15-H100	GHH1556	GB	11
88	20:1			275	394	550			1	550	HF-H-20-H100	GHH2056	GB	11
70	25:1		240	350	529				.83	583	HF-H-25-H101	GHH2556	GB	11
58	30:1		247	350	550				.76	562	HF-H-30-H100	GHH3056	GB	11
44	40:1	268	345	528					.64	672	HF-H-40-H100	GHH4056	GB	11
35	50:1	310	400	609					.56	685	HF-H-50-H100	GHH5056	GB	11
29	60:1	300	418	600					.5	600	HF-H-60-H100	GHH6056	GB	11

Note:

	Service Class I Torque Ratings (1.0 Service Factor)
	Service Class II Torque Ratings ( $\geq 1.4$ Service Factor)
	Service Class III Torque Ratings ( $\geq 2.0$ Service Factor)



### H Gearbox Accessories

Baldor offers optional base and shaft kits for H style gearmotors. Adding a base and shaft kit allows them to be used in applications requiring a rightangle shaft extension. The shaft can be used for either right or left hand output applications.



Catalog Number	Description	List Price	Mult. Sym.	Ap'x Shpg. Wgt.
B19H71	Horiz Base Kit	82	A8	1
SH10HS	Output Shaft Kit	26	A8	2
TA05HK	Torque Arm Kit	88	A8	2

# BALDOR

A MEMBER OF THE ABB GROUP

Baldor Electric Company

P.O. Box 2400 • Fort Smith, AR 72902-2400 U.S.A.

Phone (479) 646-4711 • Fax (479) 648-5792

[www.baldor.com](http://www.baldor.com)